

PMK 150 • Installation Guide

The Extron® PMK 150 Pole Mount Kit is a simple solution for mounting Extron devices and their external power supplies to a projector pole.

The PMK can be installed on a 1½ inch pipe within a 4 inch space between the projector and the ceiling.

Including the power supply, the following devices can be mounted:

- one three-inch deep half-rack device, or
- two 3-inch deep quarter rack devices, or
- an MPA 401

Figure 1 shows the parts that are included in the kit.

CAUTION: The maximum load for the PMK 150 is 5 lbs (2.25 kg).

NOTE: The PMK 150 is to be used only with Extron UL listed products.

Installation

NOTE: Ensure the finished installation is in accordance with local and national building codes, fire and safety codes, UL requirements, and local and national electrical codes.

To install the PMK 150 (with a device) on a projector pole:

1. Place the plate on the base of the device and align holes in the plate with the mounting holes in the device (see figure 2).
2. Secure the device to the plate with 4-40 screws (see note below).

CAUTION: Use only the screws supplied with the device to avoid damaging it.

NOTE: When installing the MPA 401 onto the PMK 150, install it with the rear panel facing the projector pipe. Allow enough space for the connectors on the cables to fit without bending the cables excessively. If the space for this is inadequate, turn the MPA 401 around and place it on the PMK so the front panel of the device is closest to the pipe, and then connect the cables.

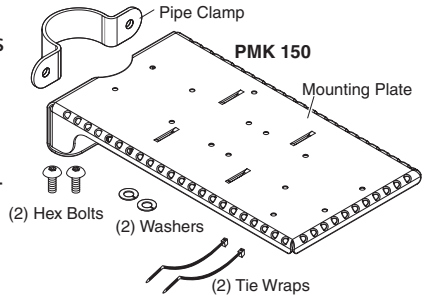


Figure 1. PMK 150 Parts

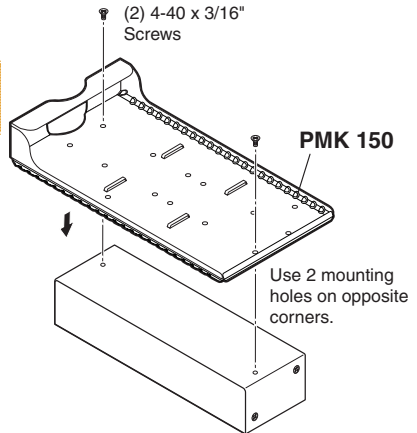


Figure 2. Attaching the Device

PMK 150 • Installation Guide, continued

- Attach the power supply to the underside of the mounting plate by passing the supplied tie wraps under the power supply, through the raised slots in the plate, and back over the power supply. Ensure the tie wraps sit in the grooves on the power supply. Tighten the ties until snug.

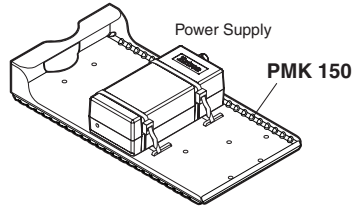


Figure 3. Attaching the Power Supply

- With the installed device uppermost, lift the plate up to the installation location on the projector pipe. Fit the pipe clamp around the pipe and hold it against the flange on the mounting plate.
- Insert the two hex bolts through the clamp holes and into the flange.
- Level the plate and tighten the hex bolts firmly to secure it against the pipe.

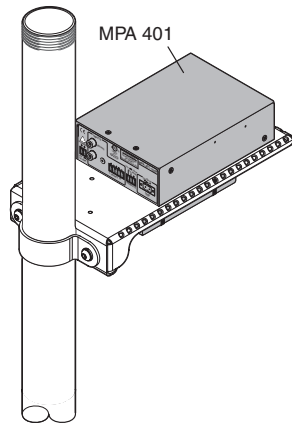
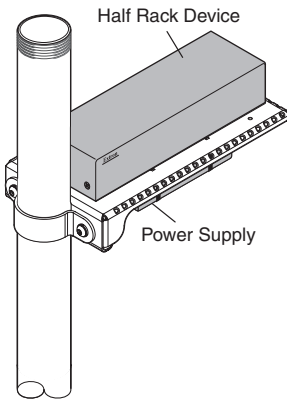


Figure 4. Half Rack Device (left) and an MPA 401 (right) Mounted on the PMK 150

- Attach input and output cables to the mounted device and thread them through the access hole in the projector pipe to the inputs and the display device. Use the remaining tie wraps for cable tidying.

CAUTION: DO NOT thread the power cable through the projector pipe. Threading the power cable through the pipe violates national electrical regulations.

- Connect the power supply to an electrical outlet and turn on the device.

For configuration and operation, see the user guide for the device.

Extron **USA - West**
Headquarters
+800.633.9876
Inside USA / Canada Only
+1.714.491.1500
+1.714.491.1517 FAX

Extron **USA - East**
+800.633.9876
Inside USA / Canada Only
+1.919.863.1794
+1.919.863.1797 FAX

Extron **Europe**
+800.3987.6673
Inside Europe Only
+31.33.453.4040
+31.33.453.4050 FAX

Extron **Asia**
+800.7339.8766
Inside Asia Only
+65.6383.4400
+65.6383.4664 FAX

Extron **Japan**
+81.3.3511.7655
+81.3.3511.7656 FAX

Extron **China**
+400.883.1568
Inside China Only
+86.21.3760.1568
+86.21.3760.1566 FAX

Extron **Middle East**
+971.4.2991800
+971.4.2991880 FAX

68-1842-01

Rev A
11 10